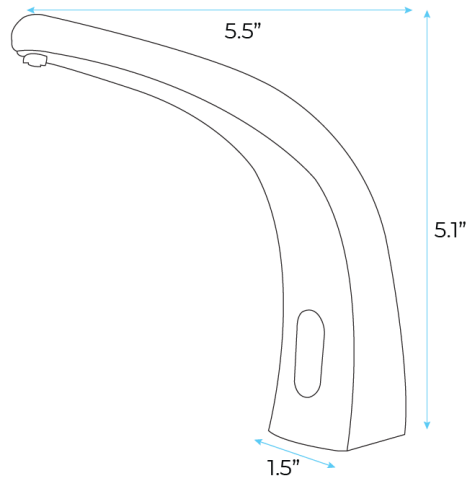


FONTANA CHROME COMMERCIAL AUTOMATIC LIQUID FOAM SOAP DISPENSER SPECS



SPECS:

Product Type: Commercial

Main Construction Material: Brass

Mount Type: Deck

Handle Type: Infra-Red

Power rating : 4 (D) Batteries / Ac

Adapter Option

Valve/Cartridge Type: Solenoid Valve

Plumbing System Requirements:

Suitable for all plumbing systems

Sensing Range: 0 - 8cm

Activation Time: 0.5 - 1 secs

Viscosity of Liquid Soap: 100- 3500CP

(Mpa.s)

